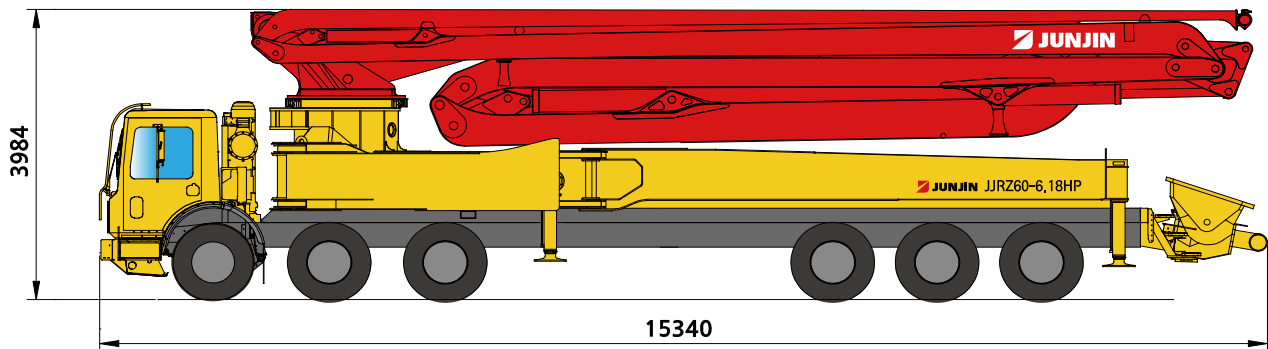


JJRZ60-6.18HP

DATA SHEET TRUCK MOUNTED BOOM PUMP



60M Truck Mounted Boom Pump with 177m³/h Output R&Z Type Boom Design



* Remark : Standard specification with MACK 12X6. Dimension depends on truck specification.

TECHNICAL SPECIFICATION

GENERAL SPECIFICATION		PUMP SPECIFICATION			BOOM SPECIFICATION	
Delivery Line	DN 125 / 5"	Output	Rod	177 m ³ /h	Number of booms	6 Sections
Radio remote	Proportional control		Piston	120 m ³ /h	Folding Type	R & Z TYPE
Wear plate / Ring	Tungsten Carbide	Pressure	Rod	87 Bar	Vertical Height	59.2 m
Water Pump	20 Bar		Piston	130Bar	Horizontal Reach	54.2 m
Water Tank	500 Liter	Delivery Cylinder (Hard-chromed)	φ230 mm		Unfolding height	16.2 m
Auto Lubrication	Hyd. grease, Hopper	Stroke Length	2100 mm		End-Hose Length	4.0 m
		S - Valve	S2018			
		System Pressure	350 Bar			
		Switching Type	Hydraulic			
		Hopper Capacity	600 Liter			

* All technical data are theoretical values and Specification are subject to change without prior notice.
* www.junj.in.com

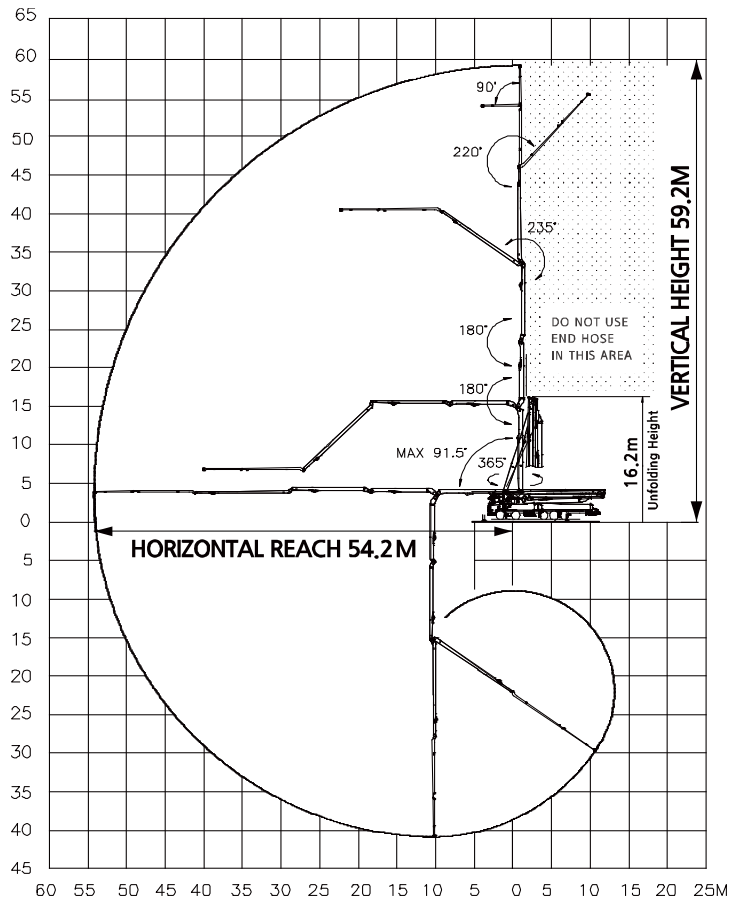
JJRZ60-6.18HP

DATA SHEET TRUCK MOUNTED BOOM PUMP

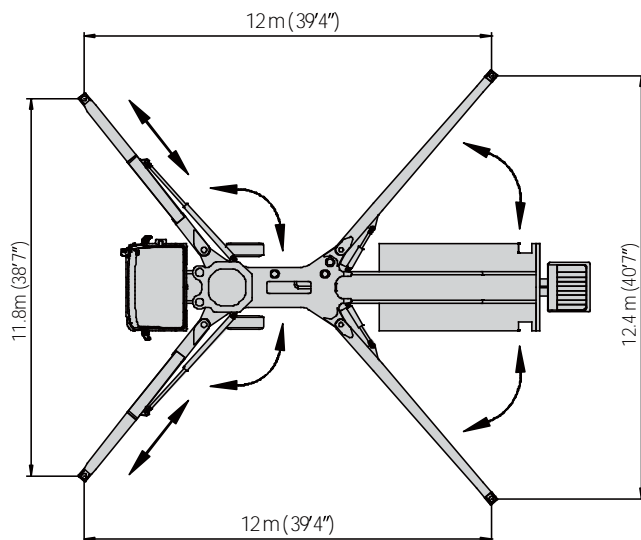


60M Truck Mounted Boom Pump with 177m³/h Output R&Z Type Boom Design

BOOM WORKING DIAGRAM



OUTRIGGER SPAN



* All technical data are theoretical values and Specification are subject to change without prior notice.
* www.junj.in.com