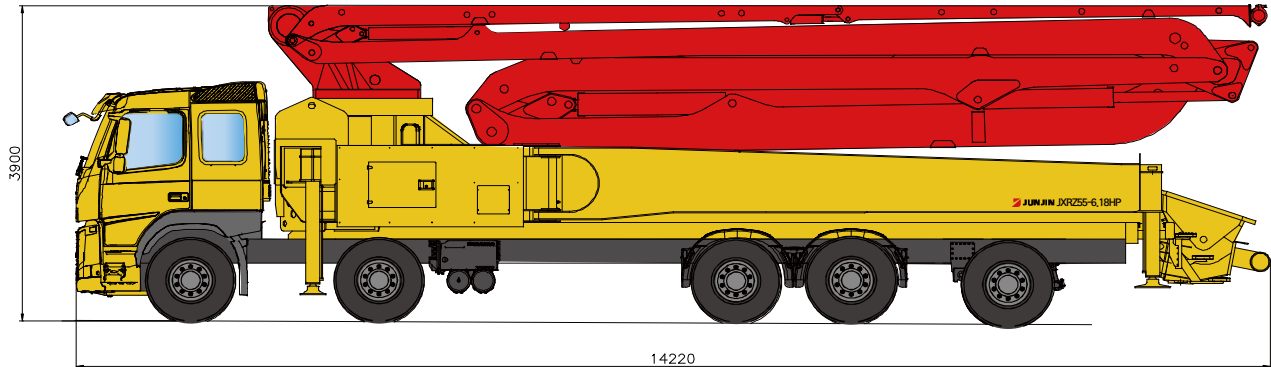


JXRZ55-6.18HP

DATA SHEET TRUCK MOUNTED BOOM PUMP



55M Truck Mounted Boom Pump | with 177m³/h Output & Roll-Z Type Boom Design



* Remark : Standard specification with VOLVO 10X4. Dimension depends on truck specification.

TECHNICAL SPECIFICATION

GENERAL SPECIFICATION		PUMP SPECIFICATION			BOOM SPECIFICATION	
Delivery Line	DN 125 / 5"	Output	Rod	177 m ³ /h	Number of booms	6 Sections
Radio remote	Proportional control		Piston	120 m ³ /h	Folding Type	R & Z TYPE
Wear plate / Ring	Tungsten Carbide	Pressure	Rod	87 Bar	Vertical Height	54.8 m
Water Pump	20 Bar		Piston	130 Bar	Horizontal Reach	49.8 m
Water Tank	800 Liter	Delivery Cylinder (Hard-chromed)	Φ230 mm		Unfolding height	14.4 m
Auto Lubrication	Hyd. grease, Hopper	Stroke Length	2100 mm		End-Hose Length	4.0 m
		S - Valve	S2018		1st Section	10.8 m
		System Pressure	350 Bar		2nd Section	8.58 m
		Switching Type	Hydraulic		3rd Section	8.82 m
		Hopper Capacity	600 Liter		4th Section	11 m
					5th Section	6.5 m
					6th Section	5.1 m

* All technical data are theoretical values and Specification are subject to change without prior notice.
* www.junjin.com

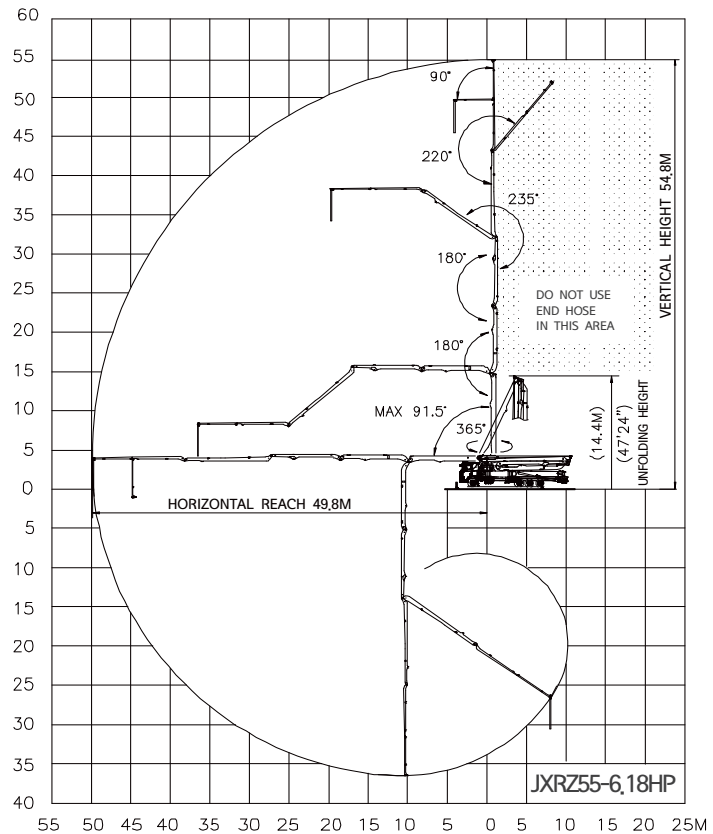
JXRZ55-6.18HP

DATA SHEET TRUCK MOUNTED BOOM PUMP

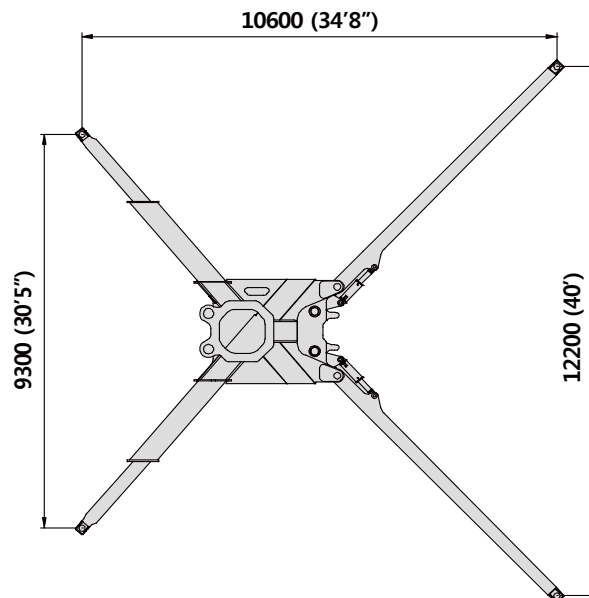


55M Truck Mounted Boom Pump | with 177m³/h Output & Roll-Z Type Boom Design

BOOM WORKING DIAGRAM



OUTRIGGER SPAN



* All technical data are theoretical values and Specification are subject to change without prior notice.
* www.junjin.com