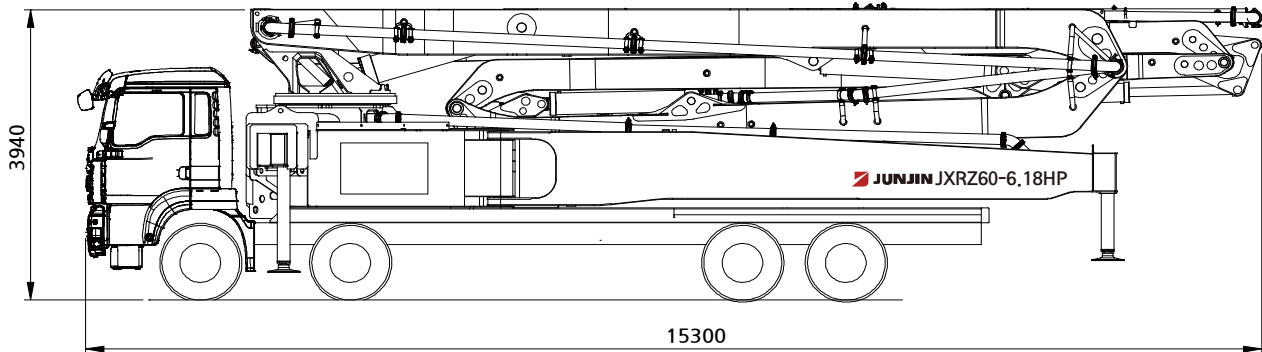


# JXRZ60-6.18HP

## DATA SHEET TRUCK MOUNTED BOOM PUMP



60M Truck Mounted Boom Pump with 177m<sup>3</sup>/h Output R&Z Type Boom Design



\* Remark : Standard specification with SINO 8X4. Dimension depends on truck specification.

### TECHNICAL SPECIFICATION

GENERAL SPECIFICATION		PUMP SPECIFICATION			BOOM SPECIFICATION	
Delivery Line	DN 125 / 5"	Output	Rod	177 m <sup>3</sup> /h	Number of booms	6 Sections
Radio remote	Proportional control		Piston	120 m <sup>3</sup> /h	Folding Type	R & Z TYPE
Wear plate / Ring	Tungsten Carbide	Pressure	Rod	87 Bar	Vertical Height	59.2 m
Water Pump	20 Bar		Piston	130Bar	Horizontal Reach	54.35 m
Water Tank	800 Liter	Delivery Cylinder (Hard-chromed)	φ230 mm		Unfolding height	16.6 m
Auto Lubrication	Hyd. grease, Hopper	Stroke Length	2100 mm		End-Hose Length	4.0 m
		S - Valve	S2018			
		System Pressure	350 Bar			
		Switching Type	Hydraulic			
		Hopper Capacity	600 Liter			

\* All technical data are theoretical values and Specification are subject to change without prior notice.  
\* www.junj.in.com

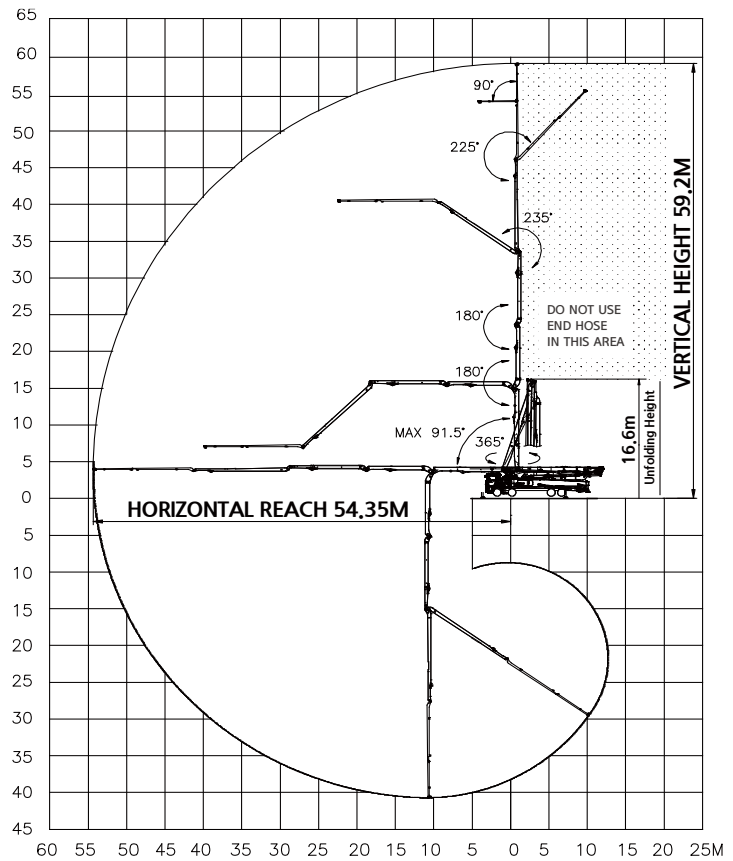
# JXRZ60-6.18HP

DATA SHEET TRUCK MOUNTED BOOM PUMP

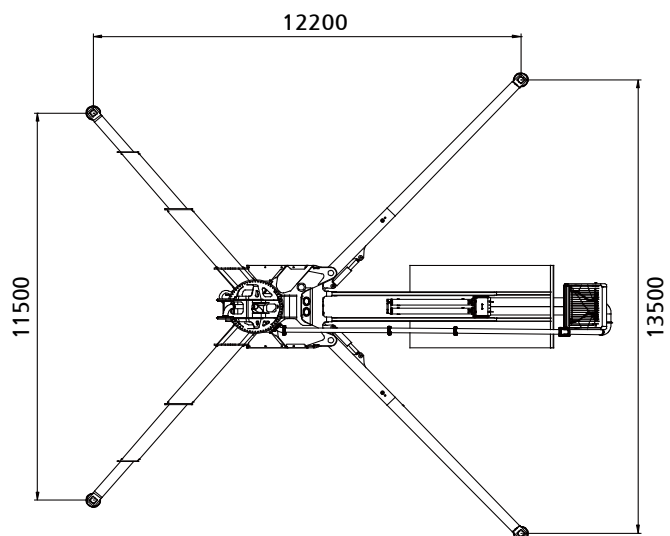


60M Truck Mounted Boom Pump with 177m<sup>3</sup>/h Output R&Z Type Boom Design

## BOOM WORKING DIAGRAM



## OUTRIGGER SPAN



\* All technical data are theoretical values and Specification are subject to change without prior notice.  
\* [www.junjin.com](http://www.junjin.com)